



PVDF+CF



TECHNICAL DATA

Fluid connections	1/4" BSP
Air connection	4 mm
Max. Flow rate	7 lt/min
Max air pressure	6 bar
Max delivery head	60 m
Max Suction Lift Dry	3 m
Max Suction Lift Wet	9,8 m
Max Solid passing	2 mm
Noise level:	62 dB
Max Viscosity:	5.000 cps
Displacement per Stroke:	18 CC ~

EX II 3/3 GD C IIB T 135 °C

Displacement per stroke may vary based on suction condition, discharge head, air pressure and fluid type.

WEIGHT

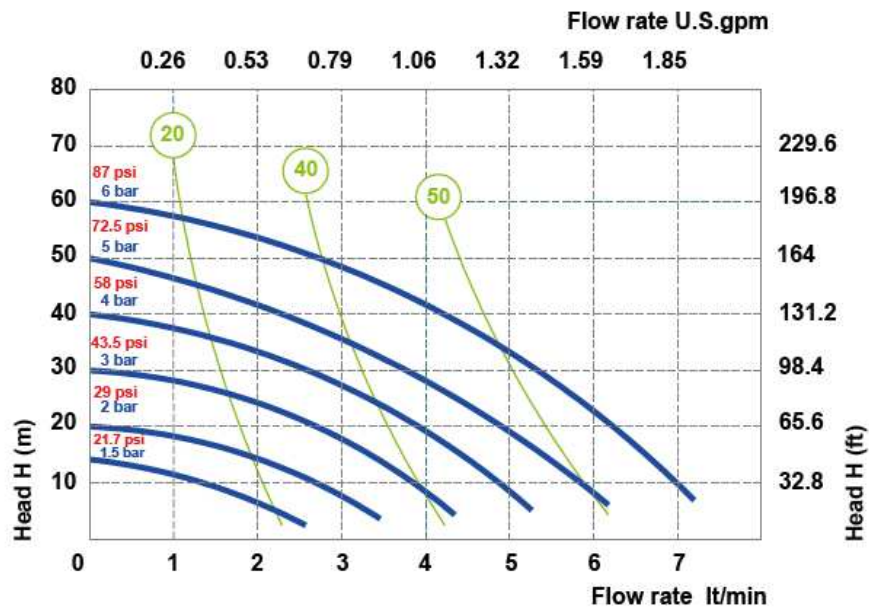
0,96 KG

TEMPERATURE

-20°C

+95°C

PERFORMANCE



Air supply pressure

Air consumption Nit/min

The curves and performance values refer to pumps with submerged suction and free delivery outlet, with water at 20°C. These data may vary according to the construction materials and hydraulic conditions.

Made in Italy

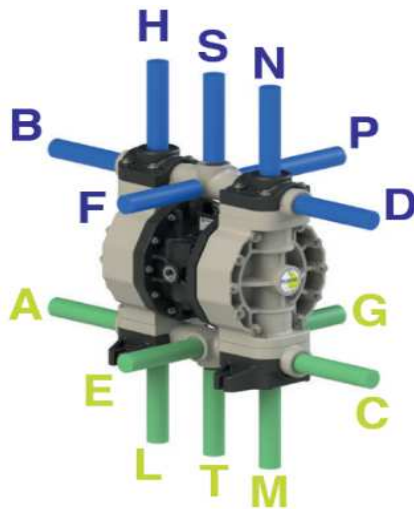


FLUIMAC S.r.l. - Via Ticino 2/4 - 21043 - Castiglione Olona - VA - ITALY
info@fluimac.com - www.fluimac.com
 tel. +39 0331 866688 - Fax +39 0331 864870
 P.I./VAT 03259160129



COMPOSITION

MODEL	CASING	DIAPHRAGM	BALLS	SEATS	GASKET	CONNECTIONS	ATEX	PORTS
P0007	KC = PVDF+CF	NT = NBR+PTFE	T = PTFE S = SS	K = PVDF	D = EPDM V = VITON N = NBR T = PTFE	I = BSP 5 = NPT	-- ZONE 2	AB = STANDARD



AVAILABLE CONNECTIONS

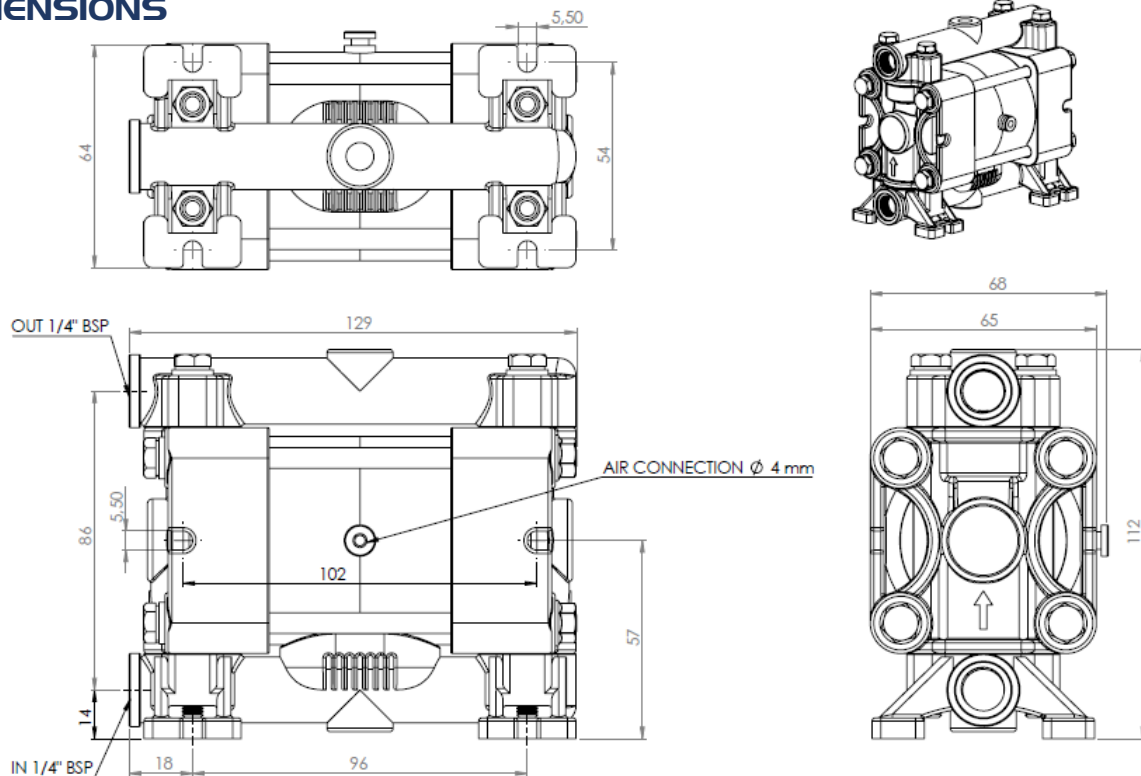
DELIVERY: B-D-S

SUCTION: A-C-T

PACKING DIMENSION

CARTON BOX: 17 x 21 x 11 cm

DIMENSIONS



Technical data are approximate and not binding for the manufacturer who reserves the right to change them without notice at any time.