

# HygienPump

PUMPS FOR VISCOUS LIQUID FOR FOOD,  
COSMETIC AND PHARMA INDUSTRY

AISI 316L HIGH LUSTER  
STAINLESS STEEL



**Pumps based on  
a new design.  
Components easily  
detachable by hand  
without requiring  
special tools for better  
cleaning and hygien.**

**Effective and  
innovative mechanical  
seals.**

**OPERABILITY  
RELIABILITY  
ROBUSTNESS**

### FIELD OF APPLICATION

**Pump with 2:1 hygienic design, it is quickly disassembled for cleaning or sanitizing the single components.** Easy to handle and versatile, it has **variable flow rates up to 23 l/min** (water). It is also suitable for insertion into closed jugs with holes 2". It can be used for **low and medium viscosity fluids (up to 40.000 cP)** is made in **AISI 316 Stainless steel** suitable for any **food or cosmetic product**, as well as for medical-health use.

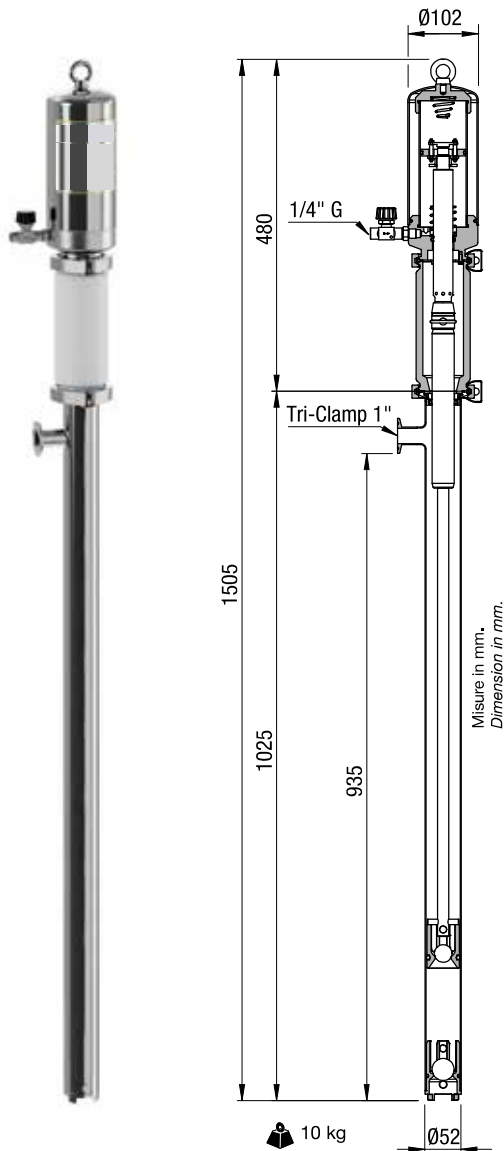
### MAIN FEATURES OF HYGIENE PUMPS

They are **pumps based on a new design**, created to be quickly disassembled by hand without the need for any special tools. The functional concept is based on an alternating piston with ball check valves, the **flow and head are adjustable**, they are designed for **viscous food products and cosmetic fluids** or also for production processes for **medical creams**. The part in contact with the product is made entirely in **AISI 316 Stainless steel**, the **FDA** gasket seals are made in **NBR or FKM, UHMWPE, or PTFE**.

The **gasket seal on the shaft does not require adjustment**, and is efficient with any viscosity and pressure, and also is long-lasting. These pumps do not require any special maintenance, are sturdy, and reliable, **easy to disassemble for periodical cleaning or for sanitizing the single components**. The complete range can be supplied with **ATEX Zone 1 certification** for the motor section and **ATEX Zone 0** for the pump immersed in liquid. This therefore makes them **suitable for use in potentially explosive atmospheres**.

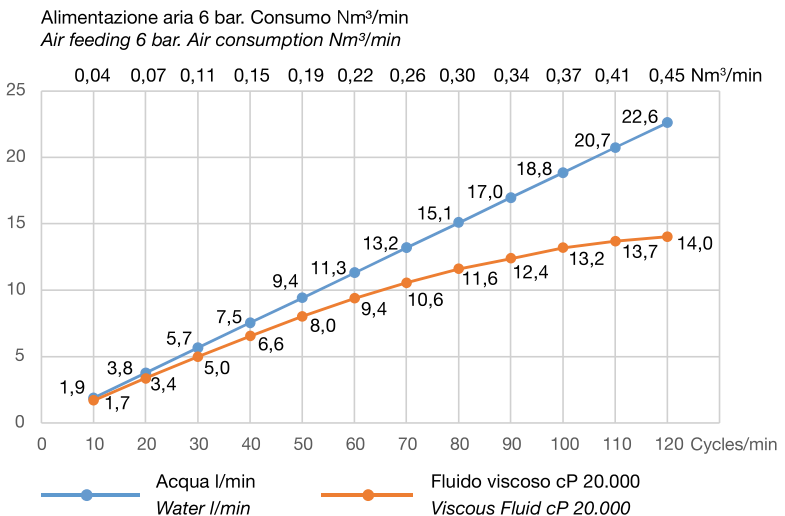
They are used by immersing the pumping piston in the fluid, or also outside of the product container. For the latter use, we can supply **Stainless steel fittings and flexible hoses** to connect the suction and the outlet. We can supply a **transport trolley, or a cushioned support for wall mounting**.

For efficient and safe use, we recommend our **pneumatic elevator on wheels or fixed on the ground**.



### TECHNICAL DATA

Maximum cycles/minute	120 cycles/min
Air consumption at 120 cycles/min	0,45 Nm <sup>3</sup> / min - Power supply 6 bar (87 psi)
Delivery at 120 cycles/min	23 liters/min (Free flowing water)
Delivery per cycle	0,188 liters per Cycle (Free flowing water)
Ambient temperature	0 °C at + 40 °C
Maximum fluid temperature	+ 85 °C
Fluid outlet	1" Tri-Clamp
Compression ratio	2:1
Air inlet	1/4" G
Air pressure	up to 7 bar (100 psi)
Pump components	316 Stainless steel with parts in PTFE, UHMWPE, FKM, NBR FDA



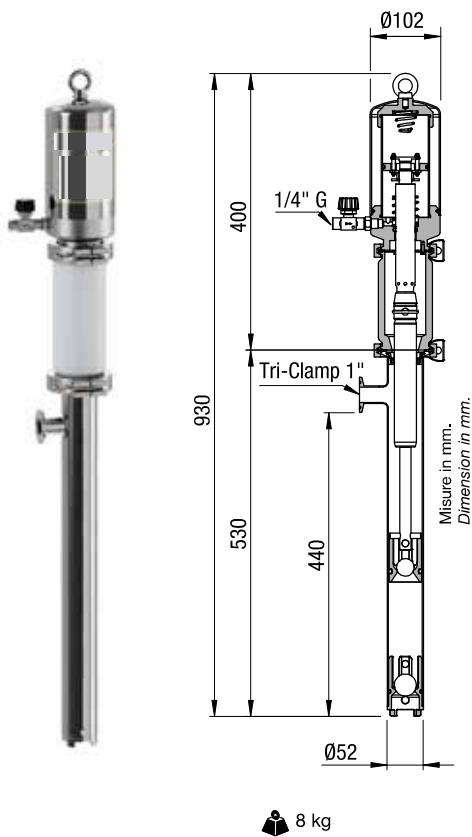
### FIELD OF APPLICATION

It is a pump 2:1 with a **hygienic design**, easy to handle and versatile, it has **variable flow rates up to 11 l/min** (water) with a short suction tube for small jugs. It can be used for **medium viscosity fluids (up to 40.000 cP)** is made in **AISI 316** suitable for any **food product**, in this version it is especially suitable for **ice cream toppings** for anyone who requires a **very hygienic pump** that is quickly disassembled for cleaning or sanitizing the single components. To use with toppings, if reduced flow is necessary, there is a **ball valve with partial closure** on the outlet.

### MAIN FEATURES OF HYGIENE PUMPS

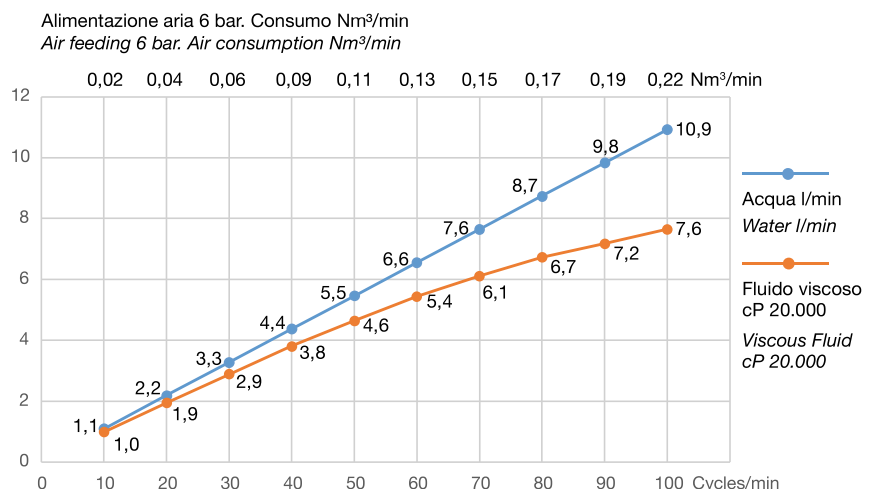
They are **pumps based on a new design**, created to be quickly disassembled by hand without the need for any special tools. The functional concept is based on an alternating piston with ball check valves, the **flow and head are adjustable**, they are designed for **viscous food products and cosmetic fluids** or also for production processes for **medical creams**. The part in contact with the product is made entirely in **AISI 316 Stainless steel**, the **FDA gasket seals** are made in **NBR or FKM, UHMWPE, or PTFE**.

The **gasket seal on the shaft does not require adjustment**, and is efficient with any viscosity and pressure, and also is long-lasting. These pumps do not require any special maintenance, are sturdy, and reliable, **easy to disassemble for periodical cleaning or for sanitizing the single components**. The complete range can be supplied with **ATEX Zone certification** for the motor section and **ATEX Zone 0** for the pump immersed in liquid. This therefore makes them **suitable for use in potentially explosive atmospheres**.



### TECHNICAL DATA

Maximum cycles/minute	100 cycles/min
Air consumption at 100 cycles/min	0,22 Nm <sup>3</sup> / min - Power supply 6 bar (87 psi)
Delivery at 100 cycles/min	11 liters/min (Free flowing water)
Delivery per cycle	0,11 liters per Cycle (Free flowing water)
Ambient air temperature	0 °C at + 40 °C
Maximum fluid temperature	+ 85 °C
Fluid outlet	1" Tri-Clamp
Compression ratio	2:1
Air inlet	1/4" G
Air pressure	up to 6 bar (87 psi)
Pump components	316 Stainless steel with parts in PTFE, UHMWPE, FKM, NBR FDA



### FIELD OF APPLICATION

**Pump with hygienic design, it is quickly disassembled for cleaning or sanitizing the single components, very versatile and powerful 3:1, with variable flow rates up to 51 l/min (water).** It is suitable for any **viscous food or cosmetic liquid (up to 90.000 cP)**. It is also often used for body creams or fluid products, also in the medical-health sector. It can be fitted with a flat pressing scraper to be used with our barrel emptying system. **Watch the video.**

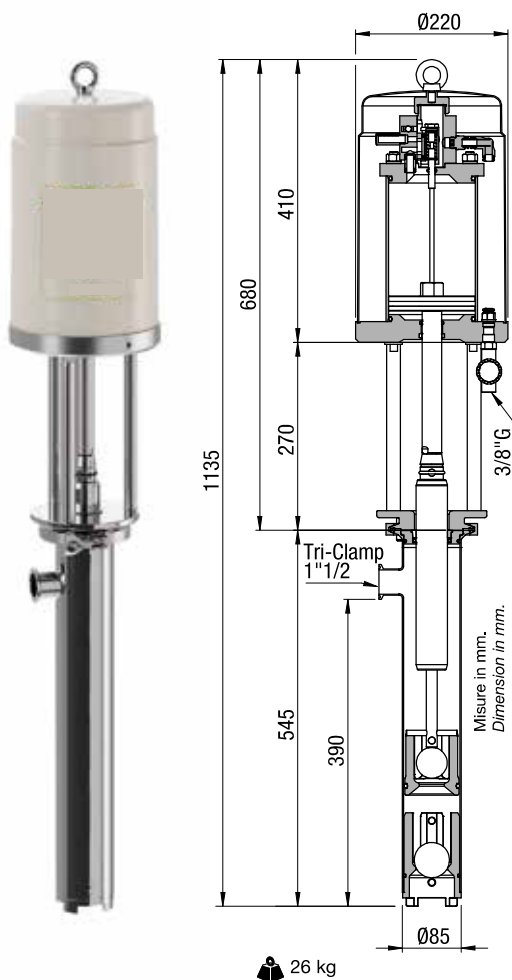
### MAIN FEATURES OF HYGIENE PUMPS

They are **pumps based on a new design**, created to be quickly disassembled by hand without the need for any special tools. The functional concept is based on an alternating piston with ball check valves, the **flow and head are adjustable**, they are designed for **viscous food products and cosmetic fluids** or also for production processes for **medical creams**. The part in contact with the product is made entirely in **AISI 316 Stainless steel**, the **FDA** gasket seals are made in **NBR or FKM, UHMWPE, or PTFE**.

The **gasket seal on the shaft does not require adjustment**, and is efficient with any viscosity and pressure, and also is long-lasting. These pumps do not require any special maintenance, are sturdy, and reliable, **easy to disassemble for periodical cleaning or for sanitizing the single components**. The complete range can be supplied with **ATEX Zone 1 certification** for the motor section and **ATEX Zone 0** for the pump immersed in liquid. This therefore makes them **suitable for use in potentially explosive atmospheres**.

They are used by immersing the pumping piston in the fluid, or also outside of the product container. For the latter use, we can supply **Stainless steel fittings and flexible hoses** to connect the suction and the outlet. We can supply a **transport trolley, or a cushioned support for wall mounting**.

For efficient and safe use, we recommend our **pneumatic elevator on wheels or fixed on the ground**.



### TECHNICAL DATA

Maximum cycles/minute	70 cycles/min
Air consumption at 70 cycles/min	1,41 Nm <sup>3</sup> /min - Power supply 6 bar (87 psi)
Delivery at 70 cycles/min	51 liters/min (Free flowing water)
Delivery per cycle	0,188 liters per Cycle (Free flowing water)
Ambient temperature	0 °C at 40 °C
Maximum fluid temperature	+ 85 °C
Fluid outlet	1"1/2 Tri-Clamp
Compression ratio	3:1
Air inlet	3/8" G
Air pressure	up to 7 bar (100 psi)
Pump components	316 Stainless steel with parts in NBR FDA, FKM UHMWPE, PTFE

